

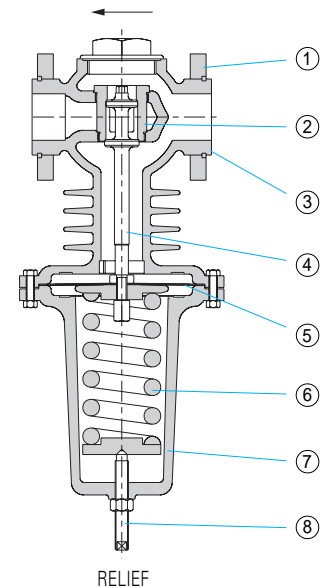
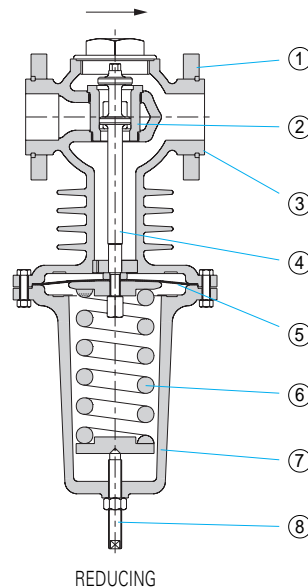


RD SERIES PRESSURE REGULATOR



Main Parts Identification

- ① Flange
- ② Cage
- ③ Body
- ④ Plug
- ⑤ Diaphragm
- ⑥ Spring
- ⑦ Spring Housing
- ⑧ Adjusting Screw



Features

Characteristic

Self-operated pressure regulator.

Available Types

RD-1

For reducing (downstream pressure control) service.

RD-2

For relief (upstream pressure control) service.

Controlled Pressure

From 5 through 260 psig.

Spring Ranges

5-15, 16-45, 46-135 or 136-260 psig.

Maximum Pressure Drop

200 psi.

Sizes

0.5, 0.75, 1, 1.5, 2, 3 and 4 in.

End Conections

RC –NPT Threaded – from size 0.5 through 2 in.

RF – Raised face flange ANSI B16.5 class 150
or 300 – from size 0.5 through 4 in.

Body Materials

ASTM A 216 Gr. WCB carbon steel, ASTM A 351 Gr. CF8 stainless steel or ASTM A 351 Gr. CF8M stainless steel. Other materials are available on application.

Trim Materials

304 stainless steel.
316 stainless steel.
304 stainless steel hard faced with Stellite.
316 stainless steel hard faced with Stellite.
410 stainless steel hardened.
PTFE set is available.

Diaphragm Materials

Nitrile, nitrile with PTFE or stainless steel.

Flow Coefficient - Cv

See table.

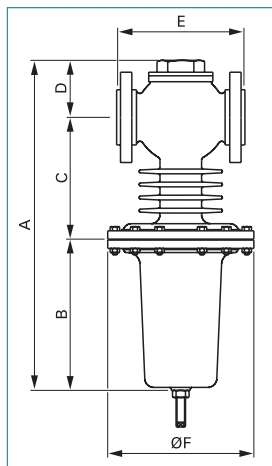
Shutoff Classifications

Metal seat - leakage class IV according to ANSI/FCI 70-2.
Soft seat - leakage class VI according to ANSI/FCI 70-2.

Flow coefficient - Cv

BODY SIZE (in.)	DIAPHRAGM	
	RUBBER	STAINLESS STEEL
.5	5	3
.75	5	3
1	5	3
1.5	22	13.2
2	22	13.2
3	45	27
4	75	45

Dimensions



BODY SIZE (in.)	DIMENSIONS (mm)					
	A	B	C	D	E	ØF
.5	351	157	124	70	159	215
.75	351	157	124	70	159	215
1	351	157	124	70	159	215
1.5	555	256	205	94	216	246
2	555	256	205	94	216	246
3	635	274	235	126	282	330
4	650	274	250	126	267	330

HITER

HITER IND. E COM. CONTR. TERMO-HIDR. LTDA.
Rua Capitão Francisco Teixeira Nogueira, 233
CEP 05037-030 - Água Branca - São Paulo - Brasil
Phone.: +55 11 3611.0788
Fax: +55 11 3611.0921/3611.1711
e-mail: vendas@hiter.com.br - www.hiter.com.br

Representative

Bulletin 1178 / Rev. July 2000