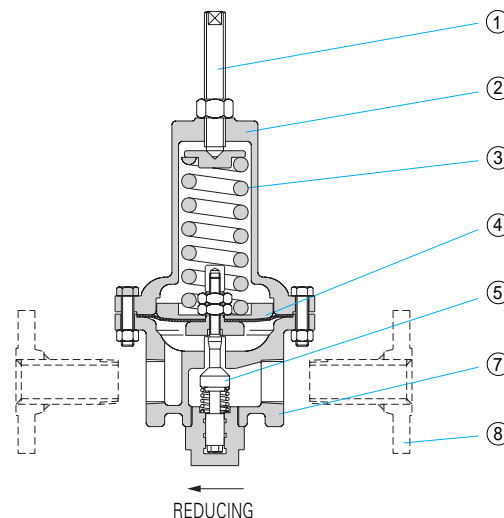
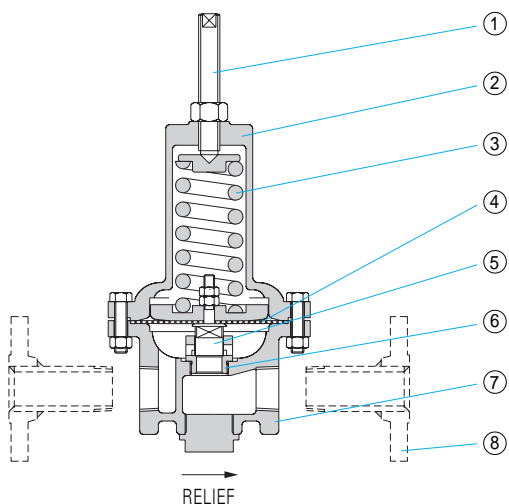




# RC SERIES PRESSURE REGULATOR



## Main Parts Identification



- ① Adjusting Screw
- ② Spring Housing
- ③ Spring
- ④ Diaphragm
- ⑤ Plug
- ⑥ Seat
- ⑦ Body
- ⑧ Flange (optional)

## Features

### Characteristic

Self-operated pressure regulator.

### Available Types

#### **RC-R**

For reducing (downstream pressure control) service.

#### **RC-A**

For relief (upstream pressure control) service.

### Controlled Pressure

From 3 through 260 psig.

### Spring Ranges

3-30, 31-80, 81-220 or 221-260 psig.

### Maximum Pressure Drop

257 psi.

### Sizes

0.5, 0.75 and 1 in.

### End Connections

NPT Threaded.

Flanges ANSI B16.5 class 150 or 300 are available.

### Body Materials

ASTM A216 Gr. WCB carbon steel, ASTM A351 GR. CF8 stainless steel or ASTM A351 GR. CF8M stainless steel. Other materials are available on application.

### Trim Materials

304 stainless steel.

316 stainless steel.

304 stainless steel hard faced with Stellite.

316 stainless steel hard faced with Stellite.

420 stainless steel hardened

Nylon seat is available.

### Diaphragm Materials

Nitrile, nitrile with PTFE or stainless steel.

### Flow Coefficient - Cv

Cv 2.4 for nitrile or nitrile with PTFE diaphragm.

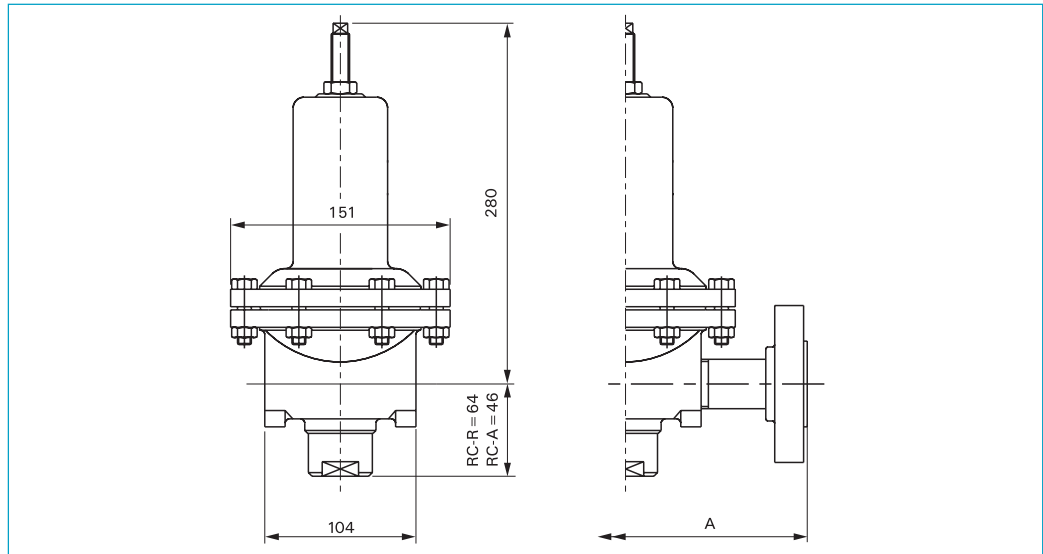
Cv 1.45 for stainless steel diaphragm.

### Shutoff Classifications

Metal seat - leakage class IV according to ANSI/FCI 70-2.

Soft seat - leakage class VI according to ANSI/FCI 70-2.

## Dimensions



BODY SIZE (in.)	A ± 1.6 (mm)
.5	227
.75	238
1	250

# HITER

HITER IND. E COM. CONTR. TERMO-HIDR. LTDA.  
 Rua Capitão Francisco Teixeira Nogueira, 233  
 CEP 05037-030 - Água Branca - São Paulo - Brasil  
 Phone.: + 55 11 3611.0788  
 Fax: + 55 11 3611.0921/3611.1711  
 e-mail: vendas@hiter.com.br - www.hiter.com.br

Representative

Bulletin 1177 / Rev. July 2000