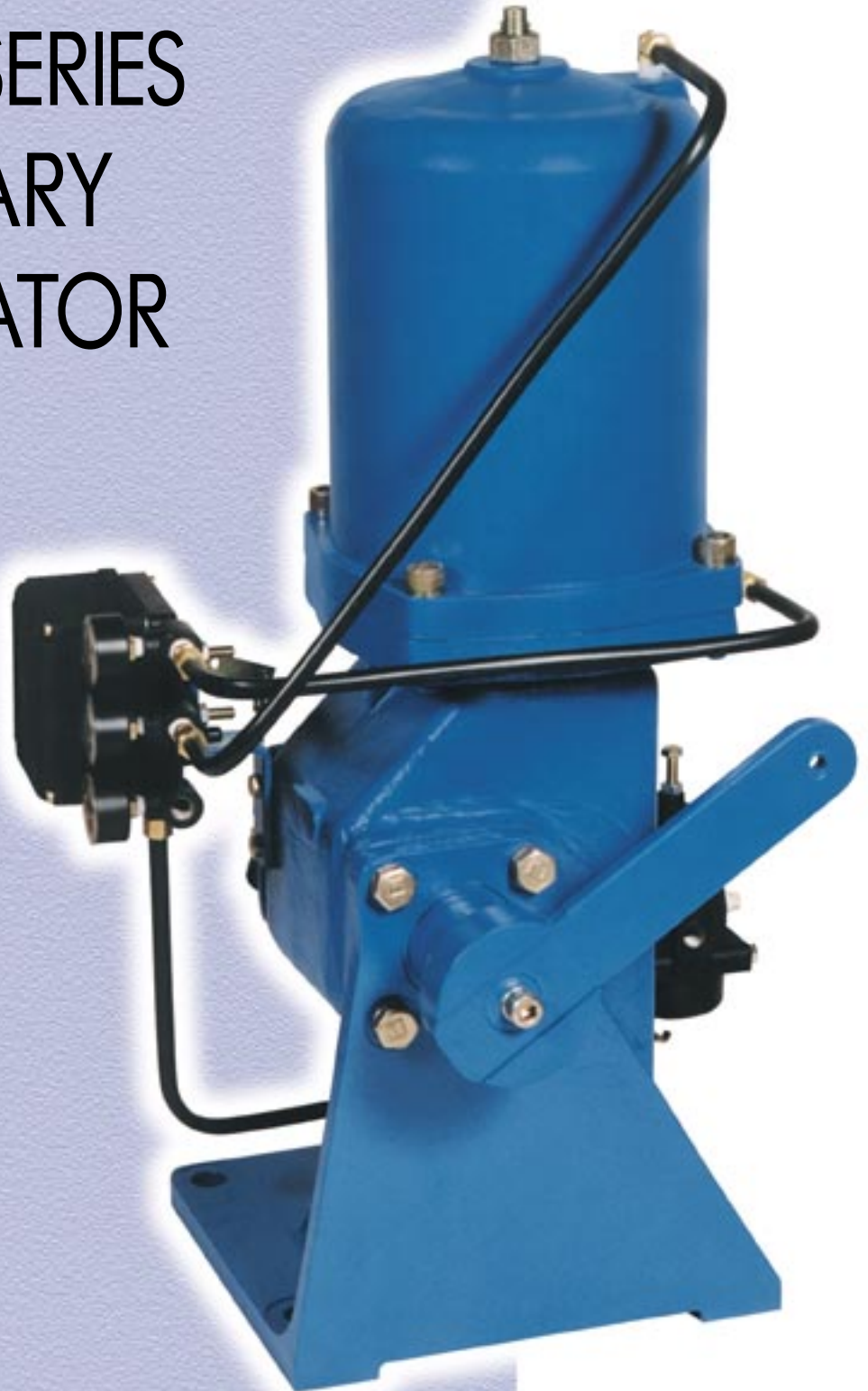




# AP+K SERIES ROTARY ACTUATOR



## Features

### Operation

Rotary pneumatic piston actuator with lever arm applicable to vanes, dampers and other process applications where remote positioning control is required.

Spring return or double acting.

### Air Pressure Supply

100 psig maximum.

### Manual Operation (Optional)

Top handwheel for manual operation can be supplied.

### Spring Range

Standard range: 25 - 40 psig.

### Rotation Angle

90 degree.

### Standard Linear Strokes

100, 150, 200, 250, 300, 350, 400, 500, 750 and 1000 mm. Special strokes are available on request.

### Sizes - Cylinder Diameter

01 - 4 in.      04 - 8 in.  
02 - 5 in.      05 - 10 in.  
03 - 6 in.

### Torques

See tables 1 to 3.

Figure 1  
Lever positions

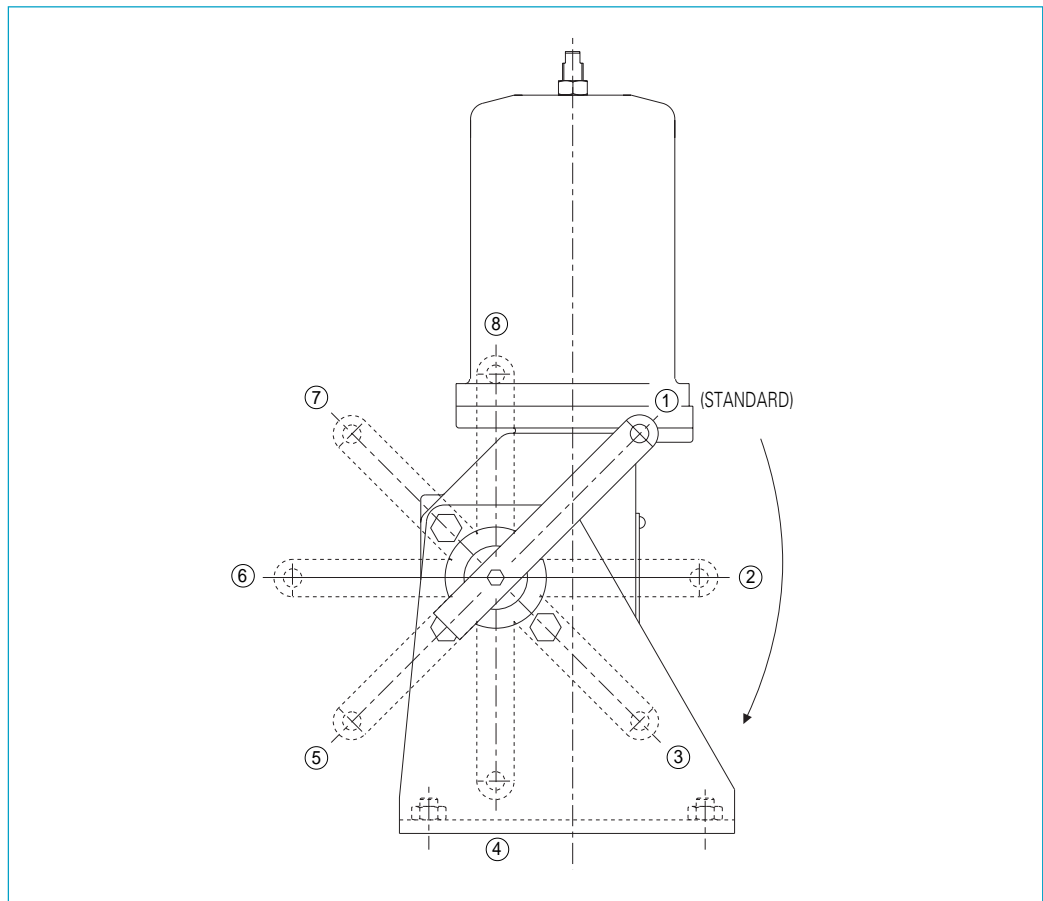


Table 1  
Spring return actuator -  
spring torque

ACTUATOR SIZE	TORQUE (lb - in)		
	MINIMUM - 25°	TRAVEL STARTING - 0°	TRAVEL ENDING- 90°
01	451	586	651
02	705	915	1018
03	1202	1548	1732
04	2712	3488	3837
05	5124	6692	7380



## Dimensions

DIMENSIONS (mm)	ACTUATOR								
	SPRING RETURN					DOUBLE ACTING			
	101S	102S	103S	104S	105S	101D	102D	103D	104D
A	192.5		213	293	293	192.5	213	293	293
B	99.8		115.3	167.5	153	99.8	115.3	167.5	153
C	25.2		34.7	36.5	51	25.2	34.7	36.5	51
D	47.5		43	64	64	47.5	43	64	64
E	43		50	65	78	43	50	65	78
F	20		20	25	25	20	20	25	25
G	70		86	116	103	70	86	116	103
H	100		109	144	157	100	109	144	157
I	192.5		235	310	310	192.5	235	310	310
J	14.4		14.3	23	23	14.4	14.3	23	23
K	120		140	194	209	120	140	194	209
M	172		225	270	270	172	225	270	270
N	747	738	895	1113	1320	405	569	690	784

DIMENSIONS (mm)	ACTUATOR								
	SPRING RETURN WITH HANDWHEEL					DOUBLE ACTING WITH HANDWHEEL			
	301S	302S	303S	304S	305S	301D	302D	303D	304D
P	600	590	634	847	1025	674	807	882	1051
Q	76	76	90	112	138	76	90	112	138
ØR	160	160	215	280	280	140	185	215	280

## Accessories

Pneumatic positioner, electro-pneumatic positioner, smart positioner, air filter/regulator, limit switch, electro-pneumatic transducer, and others.



HITER IND. E COM. CONTR. TERMO-HIDR. LTDA.  
 Rua Capitão Francisco Teixeira Nogueira, 233  
 CEP 05037-030 - Água Branca - São Paulo - Brasil  
 Tel.: + 55 11 3611.0788  
 Fax: + 55 11 3611.0921/3611.1711  
 e-mail: vendas@hiter.com.br - www.hiter.com.br

Representative

Bulletin 1191 / Rev. July 2000