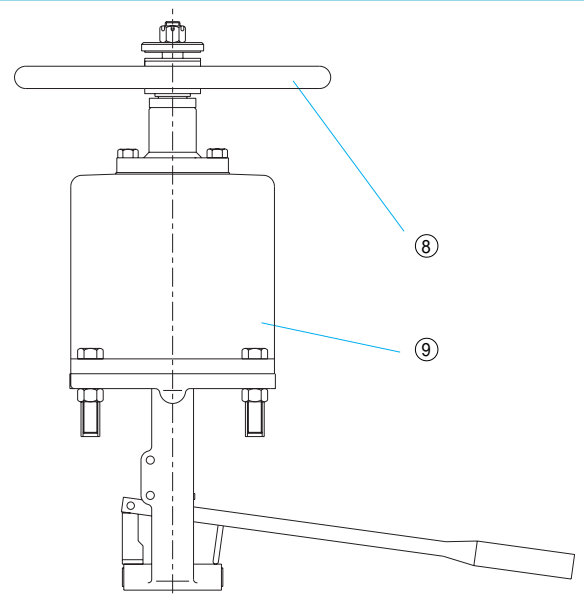
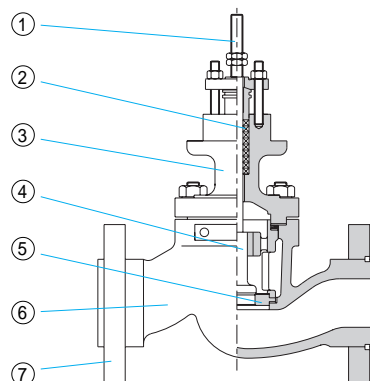


# 86 SERIES BLOWDOWN VALVE



## Main Parts Identification

- ① Stem
- ② Packing
- ③ Bonnet
- ④ Plug
- ⑤ Seat
- ⑥ Body
- ⑦ Flange
- ⑧ Handwheel (optional)
- ⑨ PPA Series Piston Actuator



## Features

### Characteristic

Globe valve with quick opening trim, applicable for periodic blowdown of boiler drums.

### Available Types

#### 86-08

With metal seat, shutoff classification IV per ANSI/FCI 70-2.  
Face-to-face according to ANSI/ISA S75.20.

#### 86-58

With metal seat, shutoff classification IV per ANSI/FCI 70-2.  
Face-to-face according to ISA S75.03.

### Sizes

0.5, 0.75, 1, 1.5, 2, 3 and 4 in.

### End Connections

FR - Raised Face - sizes 0.5 to 4 in.  
RC - Threaded - sizes 0.5 to 2 in.  
SW - Socket Welding - sizes 0.5 to 2 in.  
BW - Butt Welding - sizes 3 and 4 in.

### Pressure-Temperature Ratings

ANSI B16.34 Class 150, 300 or 600.

### Body Materials

Standard material: ASTM A216 Gr. WCB carbon steel. Other materials are available on application.

### Trim Materials

304 or 316 stainless steel with Stellite hard faced seat, or 420 stainless steel hardened.

### Bonnet Types

CE1 - Standard  
CE3 - Extended, for very high temperature.

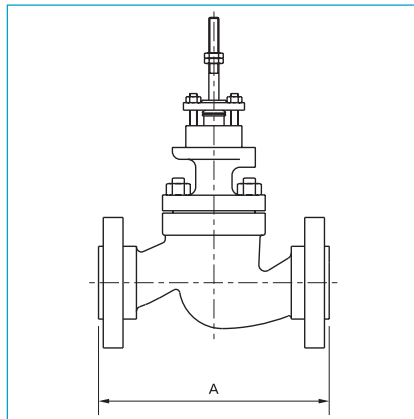
### Flow Characteristic and Cv

Quick opening. See table.

## Flow coefficient - Cv

BODY SIZE (in.)	STROKE (in.)	FULL BORE		REDUCED BORE	
		ORIFICE SIZE (in.)	Cv	ORIFICE SIZE (in.)	Cv
.5	.25	.5	3.4	-	-
.75	.25	.75	7.5	-	-
1	.375	1	13	-	-
1.5	.375	1.125	23	-	-
2	.5	1.5	41	1.125	26
3	.75	2.5	115	1.5	44
4	1	3.25	195	2	73

## Face-to-face dimension



BODY SIZE (in.)	A (mm)				
	ISA S75.20 (86-08 type)		ISA S75.03 (86-58 type)		
	CLASS				
	150/300	600	150	300	600
.5	216	216	184	190	203
.75	216	216	187	194	206
1	216	216	184	197	210
1.5	241	241	222	235	251
2	292	292	254	267	286
3	356	356	298	317	337
4	432	-	352	368	394

# HITER

HITER IND. E COM. CONTR. TERMO-HIDR. LTDA.  
Rua Capitão Francisco Teixeira Nogueira, 233  
CEP 05037-030 - Água Branca - São Paulo - Brasil  
Phone.: +55 11 3611.0788  
Fax: +55 11 3611.0921/3611.1711  
e-mail: vendas@hiter.com.br - www.hiter.com.br

Representative

Bulletin 1172 / Rev. July 2000