

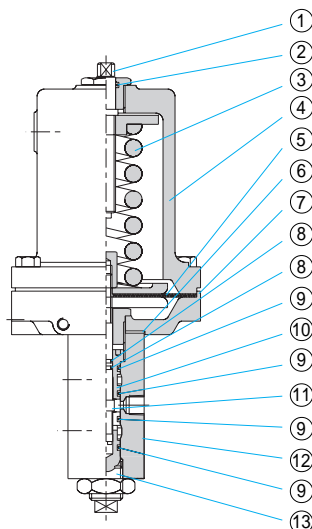
45 SERIES PRESSURE CONTROLLER



Main Parts Identification

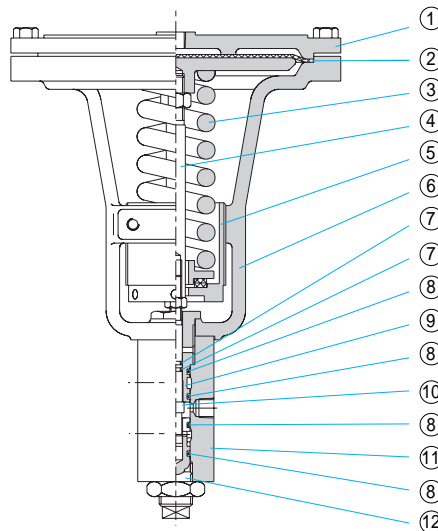
Differential

- ① Spring Adjuster
- ② Adjuster O'Ring
- ③ Spring
- ④ Upper Casing
- ⑤ Diaphragm
- ⑥ Gasket
- ⑦ Lower Casing
- ⑧ Plug O'Ring
- ⑨ Seat O'Ring
- ⑩ Upper Seat
- ⑪ Plug
- ⑫ Body
- ⑬ Lower Seat



Reducing or relief

- ① Casing
- ② Diaphragm
- ③ Spring
- ④ Stem
- ⑤ Spring Adjuster
- ⑥ Yoke
- ⑦ Plug O'Ring
- ⑧ Seat O'Ring
- ⑨ Upper Seat
- ⑩ Plug
- ⑪ Body
- ⑫ Lower Seat



Features

Characteristic

Pressure controller for pneumatic actuators. Senses the process pressure, compares with the set pressure and commands the control valve. Can be mounted remotely or directly on the control valve.

Available Types

45-01

For reducing (downstream pressure control) or relief (upstream pressure control) service.

45-02

For differential pressure control.

Controlled Pressure

From 2 through 600 psig for reducing or relief service. From 15 through 60 psi differential pressure, with 680 psig maximum inlet pressure.

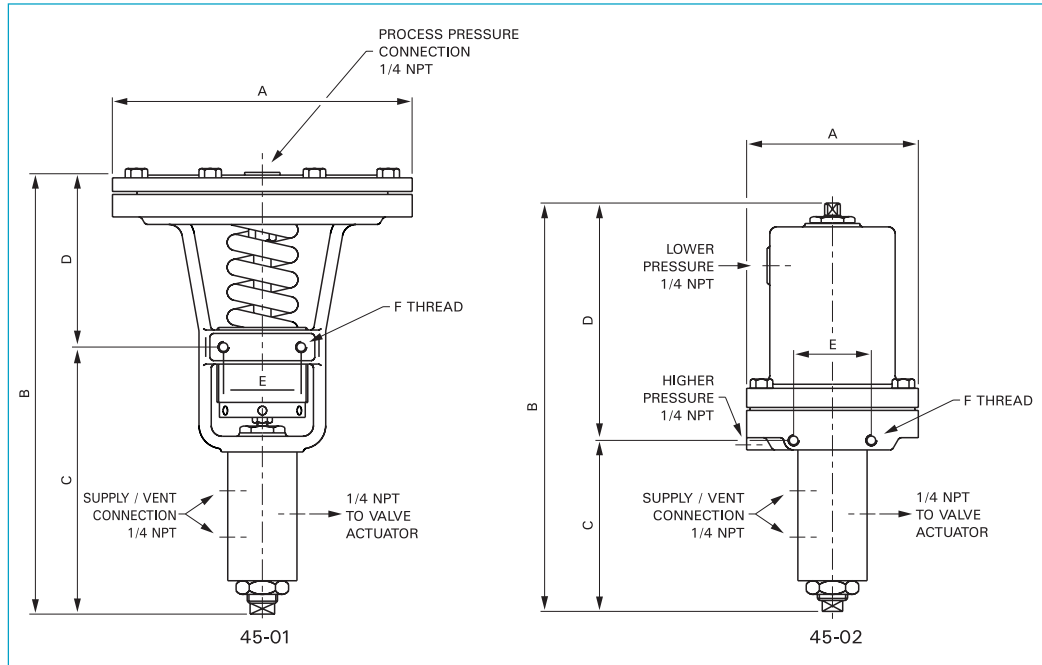
Spring Ranges

Reducing or relief: 2-30, 31-150, 151-220, 221-350, 351-450, 451-520 or 521-600 psig.
Differential: 15-30 or 31-60 psig.

Materials

Brass body, stainless steel trim and ductile iron yoke and case. Optional stainless steel body, yoke and case are available. Nitrile rubber or stainless steel diaphragm.

Dimensions



TYPE	PRESSURE RANGE (psig)	DIMENSIONS (mm)					
		A	B	C	D	E	F
RELIEF / REDUCING	2-30	Ø 220	326	194	132	57	5/16"-18UNC-2B
RELIEF / REDUCING	31-600	□336	336	194	142		
DIFFERENTIAL	15-60	□298	298	124	174		

HITER

HITER IND. E COM. CONTR. TERMO-HIDR. LTDA.
Rua Capitão Francisco Teixeira Nogueira, 233
CEP 05037-030 - Água Branca - São Paulo - Brasil
Phone.: +55 11 3611.0788
Fax: +55 11 3611.0921/3611.1711
e-mail: vendas@hiter.com.br - www.hiter.com.br

Representative

Bulletin 1176 / Rev. July 2000